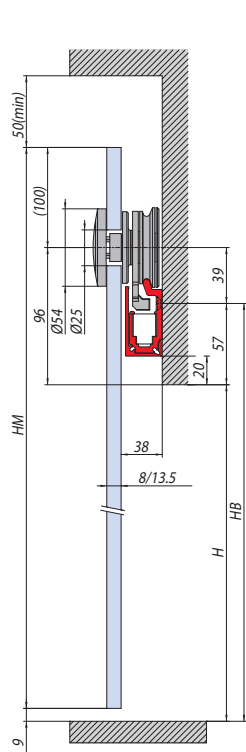
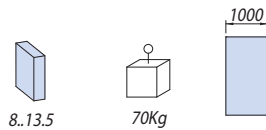
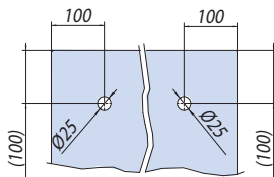


Minimal Quadro Soft-close V-6450

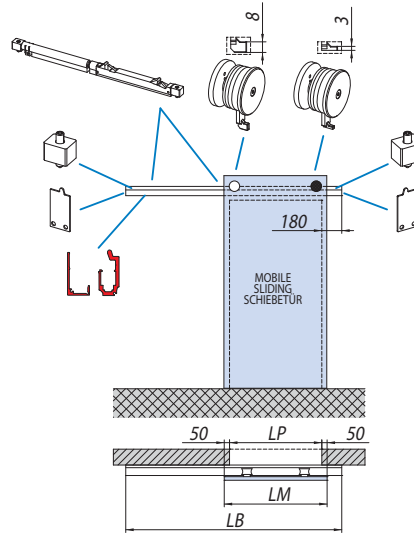
Sistema scorrevole con ruote a vista su binario quadro e Soft-close
 Sliding system with visible point rollers and square rail with Soft-close
 Schiebetürsystem mit punkttroller, rechteckige Laufschiene und Soft-close



$$HM = H + 187$$



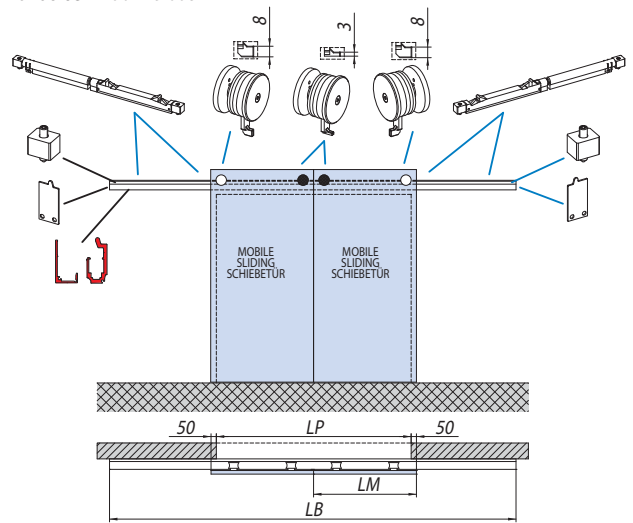
V-6450 set 1 Soft-close



$$LB = LP \times 2 + (50 \times 2) + 300$$

$$LM = LP + 100$$

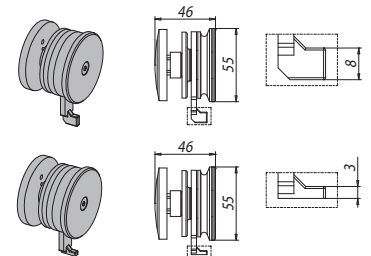
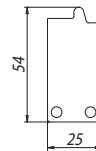
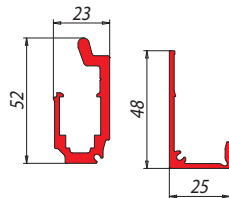
V-6450 set 2 Soft-close



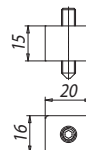
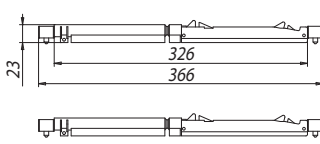
$$LB = LP \times 2 + (50 \times 2) + 300$$

$$LM = LP + 100$$

Componenti
 Components
 Einzelteile



Soft-close 



CR = Cromo lucido
 Polished chrome
 Chrom glänzend

Effetto inox
 Inox effect
 Inox effekt

H = Altezza passaggio luce - Clear opening height - Lichte Höhe
 LP = Passaggio luce - Clear opening width - Lichte Breite
 HM = Altezza anta mobile - Sliding glass height - Schiebefügel Höhe
 LM = Larghezza vetro - Glass width - Glasbreite
 LB = Lunghezza binario - Rail length - Laufschiene Länge

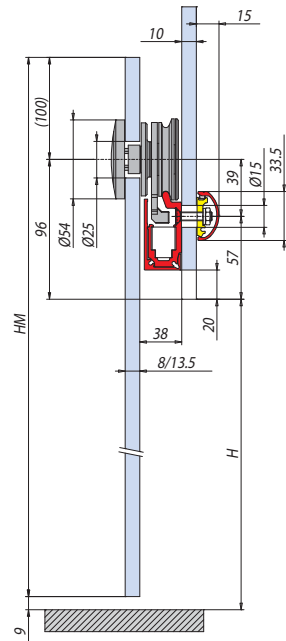
xla348b

Minimal Quadro Soft-close V-6450

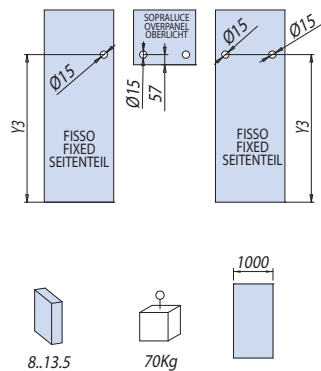
Montaggio a vetro
Glass installation
Glasmontage



Montaggio a vetro
Glass installation
Glasmontage



$$HM = H + 187$$

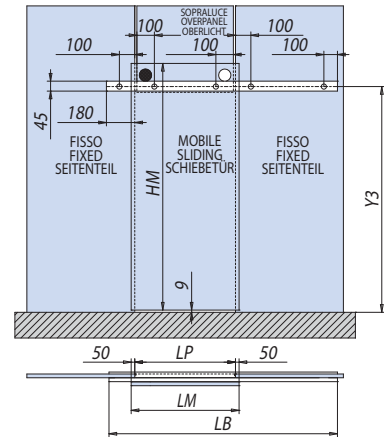


8.13.5

70Kg

1000

V-6450 set 3 Soft-close

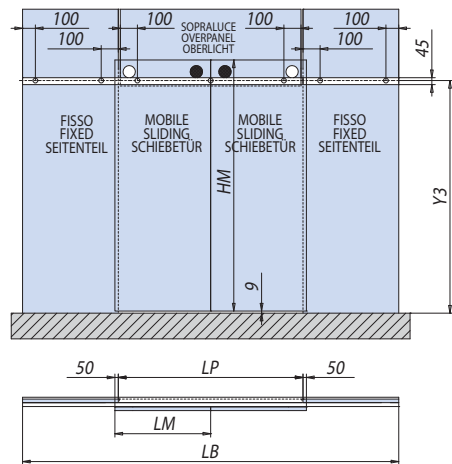


$$LM = LP + 100$$

$$LB = LP \times 2 + (50 \times 2) + 300$$

$$Y3 = H + 57$$

V-6450 set 4 Soft-close



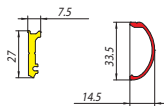
$$LM = (LP + 100) / 2$$

$$LB = LP \times 2 + (50 \times 2) + 250$$

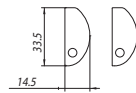
$$Y3 = H + 57$$

Y3: Altezza fori vetri fissi e nel sopra luce
Height glass holes in side-and overpanel
Höhe glasbohrungen in seitenteil-oberlicht

V-6006



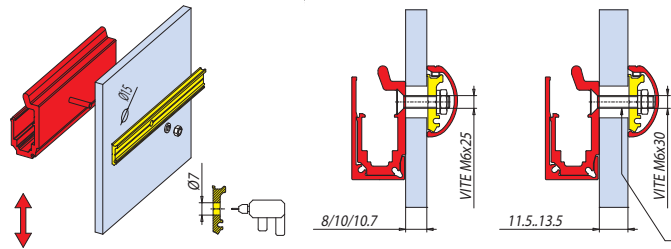
V-6007



Fori da parte del cliente
Profile not predrilled
Profil nicht vorgebohrt

Altri componenti a pag. 16
Other components at page 16
Andere Einzelteile Seite 16

Regolazione
verticale
Adjustment
Verstellung



Accorciare vite sul cantiere
Short screw during installation
Schrauben bauseits kürzen

CR = Cromo lucido
Polished chrome
Chrom glänzend

Effetto inox
Inox effect
Inox effekt

H = Altezza passaggio luce - Clear opening height - Lichte Höhe
LP = Passaggio luce - Clear opening width - Lichte Breite
HM = Altezza anta mobile - Sliding glass height - Schiebefügel Höhe
LM = Larghezza vetro - Glass width - Glasbreite
LB = Lunghezza binario - Rail length - Laufschiene Länge

xla348c



